

PF series



型號：

① ② ③
PFTS - 2A - 4 - N



① 吸盤直徑 mm			
2A	∅ 2	25	∅ 25
3.5A	∅ 3.5	30	∅ 30
6A	∅ 6	35	∅ 35
8A	∅ 8	40	∅ 40
10A	∅ 10	50	∅ 50
15	∅ 15	60	∅ 60
20	∅ 20	80	∅ 80
25	∅ 25	95	∅ 95

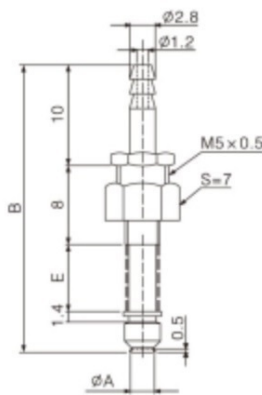
② 行程 mm	
2.5	15
3	20
4	25
5	30
6	50
10	70

③ 吸盤材質	
N	丁腈橡膠 NBR
S	矽橡膠
NE	抗靜電丁腈橡膠
SE	抗靜電矽橡膠

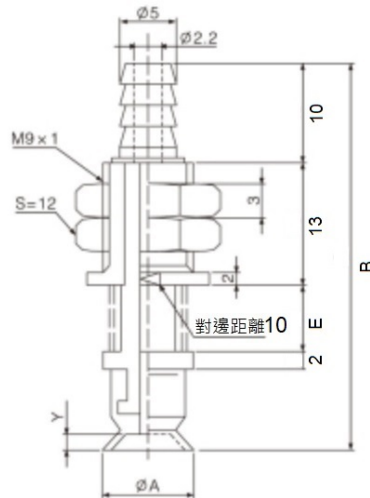
規格：

標示	材質	硬度	使用溫度範圍	顏色	膠體阻抗值
N	丁腈橡膠 NBR	A55/S	-26 °C ~ 120 °C	黑色	
S	矽橡膠	A55/S	-60 °C ~ 250 °C	乳白色	
NE	抗靜電丁腈橡膠	A70/S	-26 °C ~ 120 °C	黑色紅點	$10^5 \sim 10^7 \Omega / cm^3$
SE	抗靜電矽橡膠	A55/S	-60 °C ~ 250 °C	黑色紅點	$10^5 \sim 10^7 \Omega / cm^3$

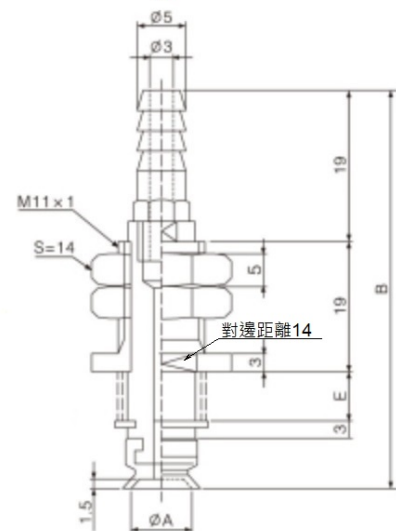
適合吸盤直徑
2 / 3.5



適合吸盤直徑
6 / 8



適合吸盤直徑
10

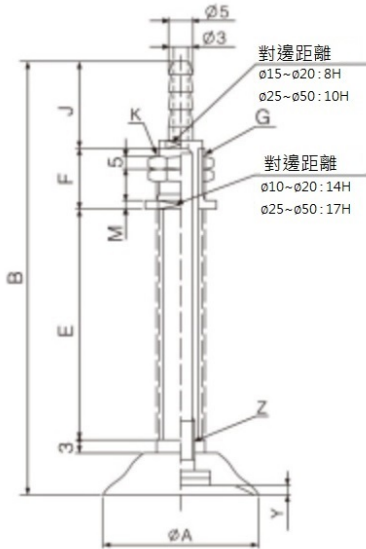


PF series

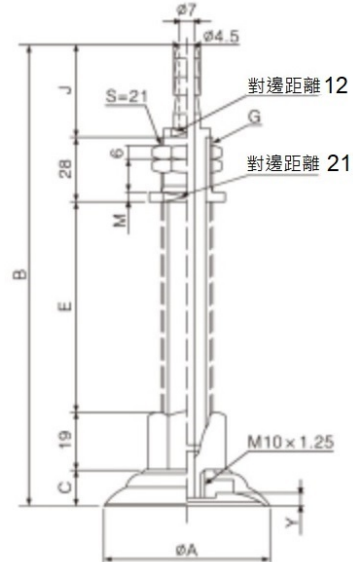


外觀尺寸：

適合吸盤直徑
15/20/25/30/35/40/50



適合吸盤直徑
60/80/95



PFTS	A	B	E	Y
PFTS-2-2.5	2	28.5	5.1	---
PFTS-2-5	2	33.5	10.1	---
PFTS-3.5-2.5	3.5	28.5	5.1	---
PFTS-3.5-5	3.5	33.5	10.1	---
PFTS-6-3	6	37.5	6	0.8
PFTS-6-10	6	51.5	20	0.8
PFTS-6-15	6	61.5	30	0.8
PFTS-6-25	6	81.5	50	0.8
PFTS-8-3	8	38	6	1.2
PFTS-8-10	8	52	20	1.2
PFTS-8-15	8	62	30	1.2
PFTS-8-25	8	82	50	1.2
PFTS-10-4	10	56.5	8	1.5
PFTS-10-10	10	58.5	20	1.5
PFTS-10-20	10	88.5	40	1.5
PFTS-10-30	10	108.5	60	1.5

PFTS	A	B	E	F	J	S	Y	Z
PFTS-15-4	15	54	8	19	16	14H	1.9	M5
PFTS-15-10	15	66	20	19	16	14H	1.9	M5
PFTS-15-20	15	86	40	19	16	14H	1.9	M5
PFTS-15-30	15	106	60	19	16	14H	1.9	M5
PFTS-20-4	20	56	8	19	16	14H	2.3	M5
PFTS-20-10	20	68	20	19	16	14H	2.3	M5
PFTS-20-20	20	88	40	19	16	14H	2.3	M5
PFTS-20-30	20	108	60	19	16	14H	2.3	M5

PF series



外觀尺寸：

PFTS	A	B	E	F	J	S	Y	Z
PFTS-15-4	15	54	8	19	16	14H	1.9	M5
PFTS-15-10	15	66	20	19	16	14H	1.9	M5
PFTS-15-20	15	86	40	19	16	14H	1.9	M5
PFTS-15-30	15	106	60	19	16	14H	1.9	M5
PFTS-20-4	20	56	8	19	16	14H	2.3	M5
PFTS-20-10	20	68	20	19	16	14H	2.3	M5
PFTS-20-20	20	88	40	19	16	14H	2.3	M5
PFTS-20-30	20	108	60	19	16	14H	2.3	M5
PFTS-25-6	25	71	13	24	17	17H	3.0	M6
PFTS-25-15	25	88	30	24	17	17H	3.0	M6
PFTS-25-30	25	118	60	24	17	17H	3.0	M6
PFTS-25-50	25	158	100	24	17	17H	3.0	M6
PFTS-30-6	30	69	13	24	17	17H	2.0	M6
PFTS-30-15	30	86	30	24	17	17H	2.0	M6
PFTS-30-30	30	116	60	24	17	17H	2.0	M6
PFTS-30-50	30	156	100	24	17	17H	2.0	M6
PFTS-35-6	35	71	13	24	17	17H	3.0	M6
PFTS-35-15	35	88	30	24	17	17H	3.0	M6
PFTS-35-30	35	118	60	24	17	17H	3.0	M6
PFTS-35-50	35	158	100	24	17	17H	3.0	M6
PFTS-40-6	40	71	13	24	17	17H	3.5	M6
PFTS-40-15	40	88	30	24	17	17H	3.5	M6
PFTS-40-30	40	118	60	24	17	17H	3.5	M6
PFTS-40-50	40	158	100	24	17	17H	3.5	M6
PFTS-50-6	50	72	13	24	17	17H	4.0	M6
PFTS-50-15	50	89	30	24	17	17H	4.0	M6
PFTS-50-30	50	119	60	24	17	17H	4.0	M6
PFTS-50-50	50	159	100	24	17	17H	4.0	M6
PFTS-60-10	60	110.5	20	---	---	---	5.0	---
PFTS-60-30	60	150.5	60	---	---	---	5.0	---
PFTS-60-50	60	190.5	100	---	---	---	5.0	---
PFTS-60-70	60	230.5	140	---	---	---	5.0	---
PFTS-80-10	80	112.5	20	---	---	---	6.0	---
PFTS-80-30	80	152.5	60	---	---	---	6.0	---
PFTS-80-50	80	192.5	100	---	---	---	6.0	---
PFTS-80-70	80	232.5	140	---	---	---	6.0	---
PFTS-95-10	95	113	20	---	---	---	6.0	---
PFTS-95-30	95	153	60	---	---	---	6.0	---
PFTS-95-50	95	193	100	---	---	---	6.0	---
PFTS-95-70	95	233	140	---	---	---	6.0	---