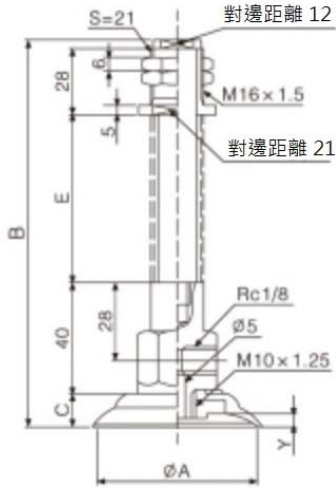


PF series

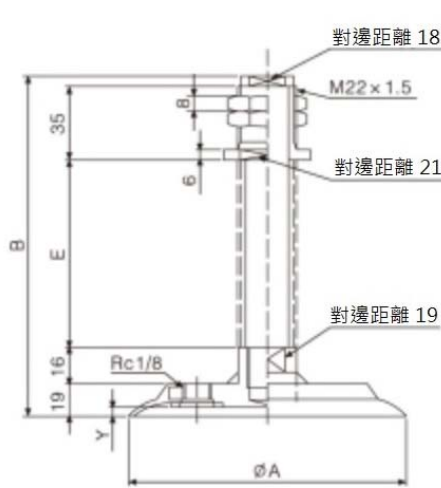


外觀尺寸：

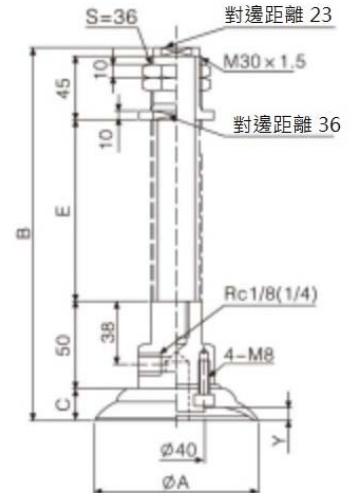
適合吸盤直徑
60 / 80 / 95



適合吸盤直徑
100



適合吸盤直徑
120 / 150 / 200



PFYS	A	B	C	D	E	F	G	J	K	S	M	Y	Z
PFYS-2-2.5	2	35.7	4	16.4	4.5	9	M5X0.8	11	11	7H	1.5	0.5	---
PFYS-2-5	2	40.7	4	16.4	9.5	9	M5X0.8	11	11	7H	1.5	0.5	---
PFYS-3.5-2.5	3.5	35.7	4	16.4	4.5	9	M5X0.8	11	11	7H	1.5	0.5	---
PFYS-3.5-5	3.5	40.7	4	16.4	9.5	9	M5X0.8	11	11	7H	1.5	0.5	---
PFYS-6-3	6	51	6.5	22.5	6	13	M9X1.0	21	13	12H	2	0.8	---
PFYS-6-10	6	65	6.5	22.5	20	13	M9X1.0	21	13	12H	2	0.8	---
PFYS-6-15	6	75	6.5	22.5	30	13	M9X1.0	21	13	12H	2	0.8	---
PFYS-6-25	6	95	6.5	22.5	50	13	M9X1.0	21	13	12H	2	0.8	---
PFYS-8-3	8	51.5	7	22.5	6	13	M9X1.0	21	13	12H	2	1.2	---
PFYS-8-10	8	65.5	7	22.5	20	13	M9X1.0	21	13	12H	2	1.2	---
PFYS-8-15	8	75.5	7	22.5	30	13	M9X1.0	21	13	12H	2	1.2	---
PFYS-8-25	8	95.5	7	22.5	50	13	M9X1.0	21	13	12H	2	1.2	---
PFYS-10-4	10	60	7.5	22.5	8	19	M11X1.0	21	13	14H	3	1.5	---
PFYS-10-10	10	72	7.5	22.5	20	19	M11X1.0	21	13	14H	3	1.5	---
PFYS-10-20	10	92	7.5	22.5	40	19	M11X1.0	21	13	14H	3	1.5	---
PFYS-10-30	10	112	7.5	22.5	60	19	M11X1.0	21	13	14H	3	1.5	---
PFYS-15-4	15	60	8	22	8	19	M11X1.0	21	14	14H	3	1.9	M5
PFYS-15-10	15	72	8	22	20	19	M11X1.0	21	14	14H	3	1.9	M5
PFYS-15-20	15	92	8	22	40	19	M11X1.0	21	14	14H	3	1.9	M5
PFYS-15-30	15	112	8	22	60	19	M11X1.0	21	14	14H	3	1.9	M5
PFYS-20-4	20	62	10	22	8	19	M11X1.0	21	14	14H	3	2.3	M5
PFYS-20-10	20	74	10	22	20	19	M11X1.0	21	14	14H	3	2.3	M5
PFYS-20-20	20	94	10	22	40	19	M11X1.0	21	14	14H	3	2.3	M5
PFYS-20-30	20	114	10	22	60	19	M11X1.0	21	14	14H	3	2.3	M5

PF series



外觀尺寸：

PFYS	A	B	C	D	E	F	G	J	K	S	M	Y	Z
PFYS-25-6	25	87	14	32	13	24	M14X1.5	23	20	17H	4	3.0	M6
PFYS-25-15	25	104	14	32	30	24	M14X1.5	23	20	17H	4	3.0	M6
PFYS-25-30	25	134	14	32	60	24	M14X1.5	23	20	17H	4	3.0	M6
PFYS-25-50	25	174	14	32	100	24	M14X1.5	23	20	17H	4	3.0	M6
PFYS-30-6	30	85	12	32	13	24	M14X1.5	23	20	17H	4	2.0	M6
PFYS-30-15	30	102	12	32	30	24	M14X1.5	23	20	17H	4	2.0	M6
PFYS-30-30	30	132	12	32	60	24	M14X1.5	23	20	17H	4	2.0	M6
PFYS-30-50	30	172	12	32	100	24	M14X1.5	23	20	17H	4	2.0	M6
PFYS-35-6	35	87	14	32	13	24	M14X1.5	23	20	17H	4	3.0	M6
PFYS-35-15	35	104	14	32	30	24	M14X1.5	23	20	17H	4	3.0	M6
PFYS-35-30	35	134	14	32	60	24	M14X1.5	23	20	17H	4	3.0	M6
PFYS-35-50	35	174	14	32	100	24	M14X1.5	23	20	17H	4	3.0	M6
PFYS-40-6	40	87	14	32	13	24	M14X1.5	23	20	17H	4	3.5	M6
PFYS-40-15	40	104	14	32	30	24	M14X1.5	23	20	17H	4	3.5	M6
PFYS-40-30	40	134	14	32	60	24	M14X1.5	23	20	17H	4	3.5	M6
PFYS-40-50	40	174	14	32	100	24	M14X1.5	23	20	17H	4	3.5	M6
PFYS-50-6	50	88	14	32	13	24	M14X1.5	23	20	17H	4	4.0	M8
PFYS-50-15	50	105	14	32	30	24	M14X1.5	23	20	17H	4	4.0	M8
PFYS-50-30	50	135	14	32	60	24	M14X1.5	23	20	17H	4	4.0	M8
PFYS-50-50	50	175	15	32	100	24	M14X1.5	23	20	17H	4	4.0	M8
PFYS-60-10	60	110.5	18.5	40	20	28	M16X1.5	---	28	21H	5	5.0	M10X1.25
PFYS-60-30	60	150.5	18.5	40	60	28	M16X1.5	---	28	21H	5	5.0	M10X1.25
PFYS-60-50	60	190.5	18.5	40	100	28	M16X1.5	---	28	21H	5	5.0	M10X1.25
PFYS-60-70	60	230.5	18.5	40	140	28	M16X1.5	---	28	21H	5	5.0	M10X1.25
PFYS-80-10	80	110.5	20.5	40	20	28	M16X1.5	---	28	21H	5	6.0	M10X1.25
PFYS-80-30	80	150.5	20.5	40	60	28	M16X1.5	---	28	21H	5	6.0	M10X1.25
PFYS-80-50	80	190.5	20.5	40	100	28	M16X1.5	---	28	21H	5	6.0	M10X1.25
PFYS-80-70	80	230.5	20.5	40	140	28	M16X1.5	---	28	21H	5	6.0	M10X1.25
PFYS-95-10	95	113	21	40	20	28	M16X1.5	---	28	21H	5	6.0	M10X1.25
PFYS-95-30	95	153	21	40	60	28	M16X1.5	---	28	21H	5	6.0	M10X1.25
PFYS-95-50	95	193	21	40	100	28	M16X1.5	---	28	21H	5	6.0	M10X1.25
PFYS-95-70	95	233	21	40	140	28	M16X1.5	---	28	21H	5	6.0	M10X1.25
PFYS-100-15	100	106	19	16	30	35	M22X1.5	---	---	27H	6	6.0	---
PFYS-100-30	100	136	19	16	60	35	M22X1.5	---	---	27H	6	6.0	---
PFYS-100-50	100	176	19	16	100	35	M22X1.5	---	---	27H	6	6.0	---
PFYS-100-70	100	216	19	16	140	35	M22X1.5	---	---	27H	6	6.0	---
PFYS-120-20	120	203.5	25.5	50	75	45	M30X1.5	---	38	36H	10	6.0	4 - M8
PFYS-120-100	120	293.5	25.5	50	165	45	M30X1.5	---	38	36H	10	6.0	4 - M8
PFYS-150-20	150	210.5	32.5	50	75	45	M30X1.5	---	38	36H	10	9.0	4 - M8
PFYS-150-100	150	300.5	32.5	50	165	45	M30X1.5	---	38	36H	10	9.0	4 - M8
PFYS-200-20	200	215.5	37.5	50	75	45	M30X1.5	---	38	36H	10	13.0	4 - M8
PFYS-200-100	200	305.5	37.5	50	165	45	M30X1.5	---	38	36H	10	13.0	4 - M8